



Electronic Sensors, Inc.

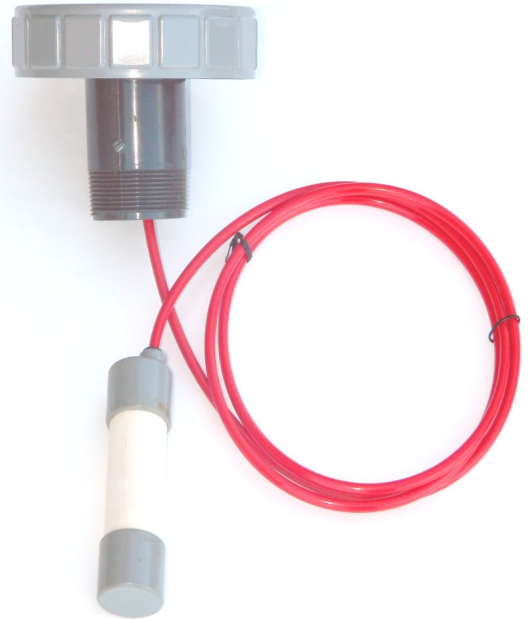
Model 5046 *Level Devil Blue*™: Bluetooth® - enabled Tank Monitor

DESCRIPTION

The Model 5046 *Level Devil Blue*™ is a modern, low-cost, wireless tank monitor system that transmits tank information and status to the *Level Devil*® app on your smartphone (Android or Apple-based).

Features include:

- Bluetooth Lite 5.x compatible
- 4096-count resolution
- 3.6 v long life Lithium battery (replaceable)
- Cable lengths available from 6' to 40'
- Fits to common 2-inch NPT tank opening
- Timed Auto reporting
- Alarm reporting (multiple user-selected setpoints) (with integral real-time clock)
- Pushbutton for system wake or immediate communications
- Multiple sensor types available (fluid levels: water, gasoline, diesel, industrial chemicals) ESI offers a large assortment of sensors for the 5046.
- Works on any ordinary smartphone or tablet, and many computers, if Bluetooth-enabled.



OPERATION

In normal use, the 5046 monitors parameter of the user's choice, and transmits the data, using Bluetooth® communications, to the *Level Devil*® app (or user-designed app) on your smartphone or tablet, or your laptop/desktop computer, within the range of the 5046 (theoretical range over 400 feet). This provides the user with low-cost, quick access to the data of any nearby tank equipped with a 5046 *Level Devil Blue* monitor.

SPECIFICATIONS (subject to change without notice)

Parameter	Value
Senor inputs	Any 0–3.6 volt, 1–3.6 volt, 0–2.5 volt (optional 0–5.0 volt and 1–5.0 volt) sensor or dry contact switch
Power	Battery, long-life lithium (replaceable).
Temperature range	-40°F to 140°F (-40°C to 60°C)



Electronic Sensors, Inc.
 2063 S. Edwards, Wichita, KS 67213
 Phone: 316-267-2807 Toll Free: 800-886-2511
 Fax: 316-267-2819 Email: sales@leveldevil.com

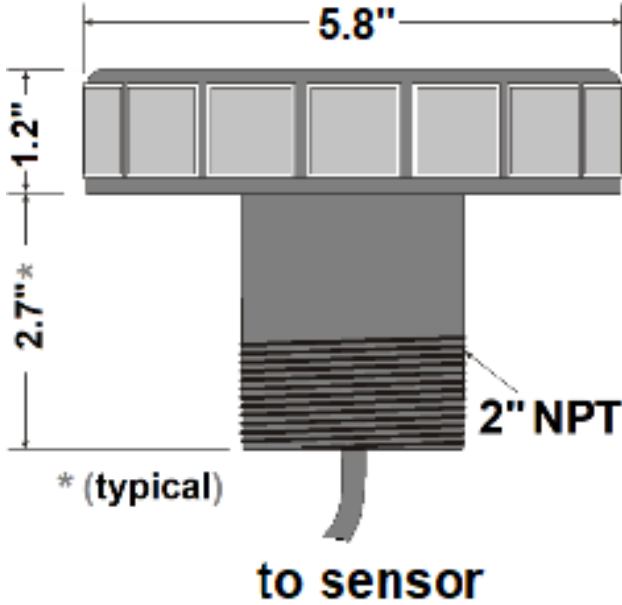




5046 Level Devil Blue™: Bluetooth®-enabled Monitor

5046 DESIGN

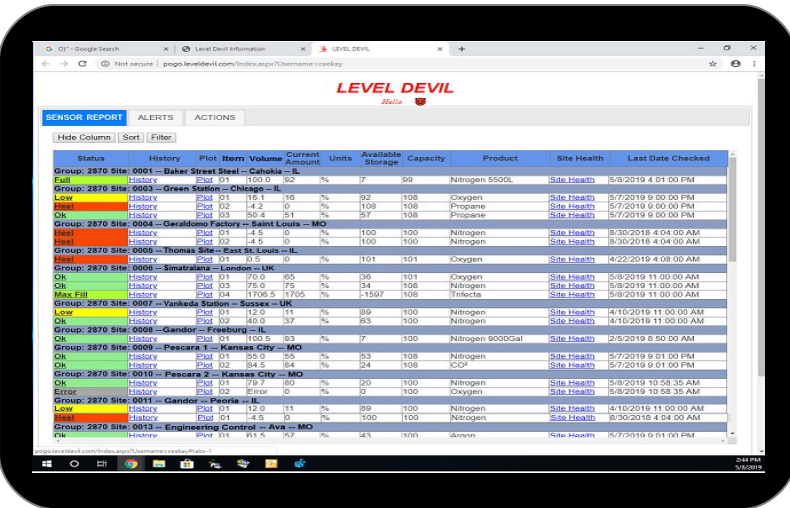
The 5046 is a rugged, reliable, Bluetooth®-based wireless tank monitor, capable of sending a measured signal (such as a switch-position change, pressure reading, object position, or tank liquid level) to the end user. The 5046 is housed in a compact PVC case that fits where many other monitors cannot.



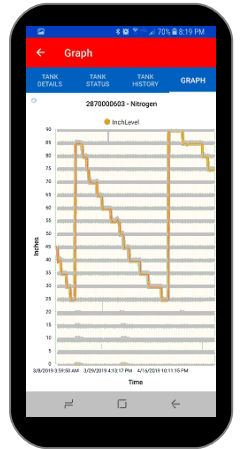
5046 SPECIFICATIONS

Parameter	Value
Case Size	5.8 inch diam. X 3.9 inches (plus cable and sensor)
Case Material	PVC, UV stabilized
Alarms	10 programmable set points: Low or high limits
Large-Percent Change Detection (user-defined)	Programmable auto-send upon a user-defined percent change ("load detection")
PRT- Pseudo Real Time Reporting	Programmable. 2% minimum
Sensor Excitation	3.6 Volts (optional 5.0 Volts)
Resolution	4096 counts (12-bits)
Indication	On Level Devil app, via Bluetooth-enabled tablet, smartphone, or computer.
Control Switch	1 Push-button switch on PCB
Warranty:	1 year (not including battery) See ESI standard warranty statement
NOTES:	Bluetooth is a registered trade name of Bluetooth.org ; Specifications subject to change without notice

INDICATION



- Secure web screens visible by authorized client on any computer or smart phone.
- Client can allow selective password access by others.
- Smart phone app available.
- History data and graphs.
- High/Low Alarms/Indications.
- Sudden-Change Notification.
- User-defined configuration and settings.
- Sort and/or Filter data by Item, Date, Status, etc.



Electronic Sensors, Inc.
 2063 S. Edwards, Wichita, KS 67213
 Phone: 316-267-2807 Toll Free: 800-886-2511
 Fax: 316-267-2819 Email: sales@leveldevil.com

